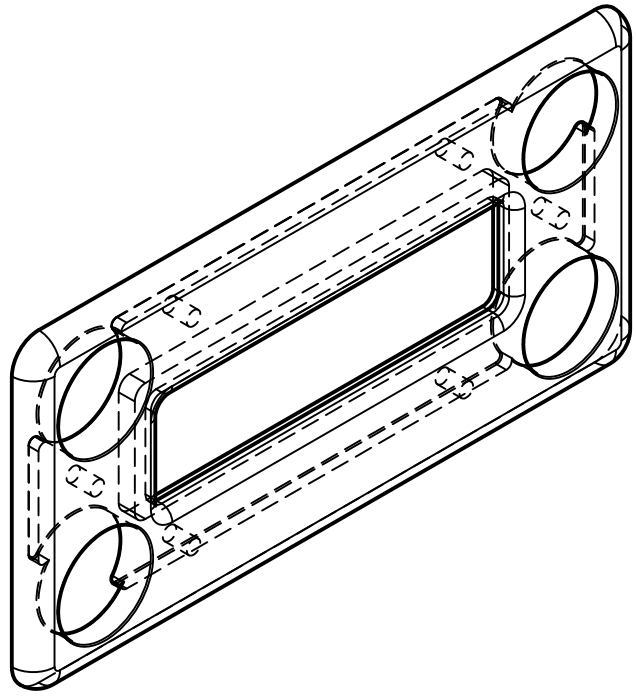
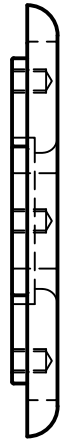


This drawing shows the details of the metalwork bezel for the TFT control panel and may be used to create cutouts in the console to fit the electronics when no metalwork is required. There are 4 buttons requiring a minimum of a 17.4mm hole a cutout for the display 66 x 18mm and 6 options for mounting using 3mm bolts. DO NOT modify the circuit board as it contains hidden layers of copper that may be destroyed.



Created by Duncan Crundwell 7/30/2021		Approved by	
Title TFT Memory Control Panel Metalwork			
1602 Group Ltd 25 Putney Close Brandon Suffolk IP27 0PA Tel 01842 814814		DWG No.	
Rev. 1	Date of issue 30 July 2021	Sheet 1/1	