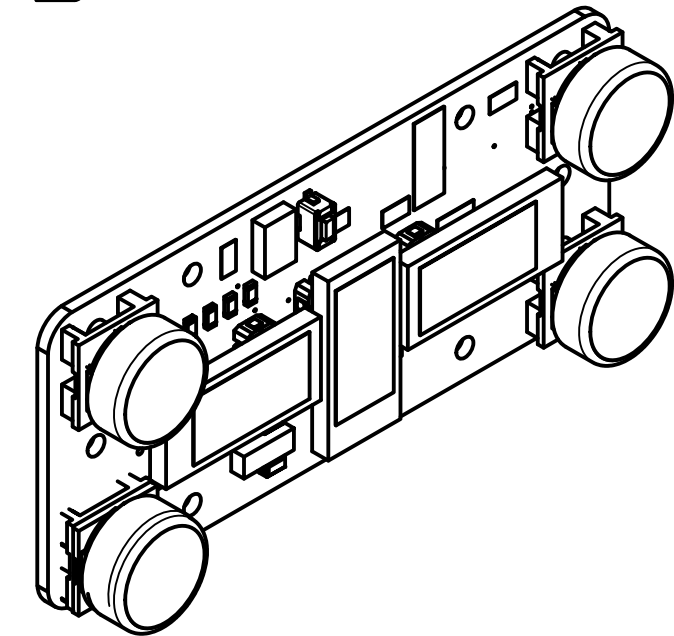
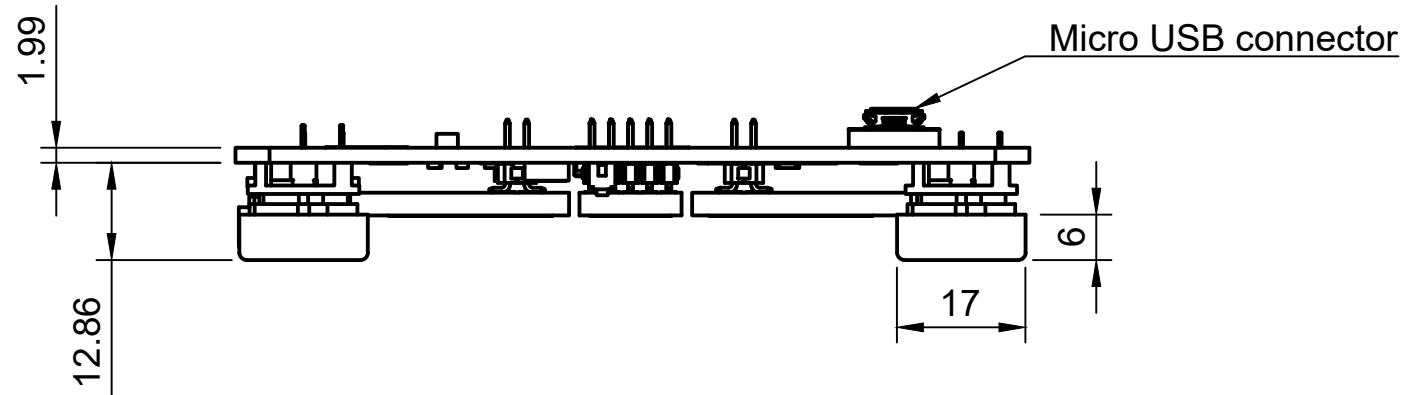
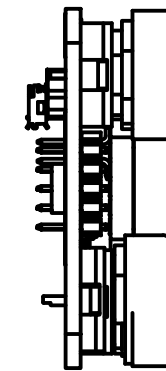


Mounting holes DIA 3.2mm Qty 6
 4 push buttons DIA 17mm allow for clearance
 DO NOT DRILL PCB, hidden tracks.
 See separate drawing for display cutout



<Material>	Created by Duncan Crundwell 7/30/2021		Approved by	
	Title TFT Memory Control Panel No Metalwork			
	1602 Group Ltd 25 Putney Close Brandon Suffolk IP27 0PA Tel 01842 814814		DWG No.	
	Rev. 1	Date of issue 30 July 2021	Sheet 1/1	