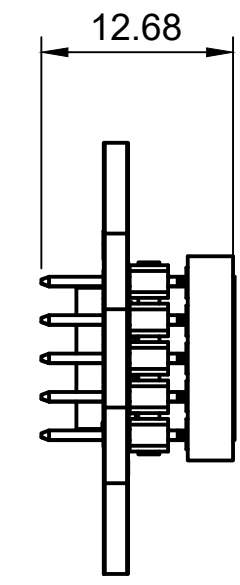
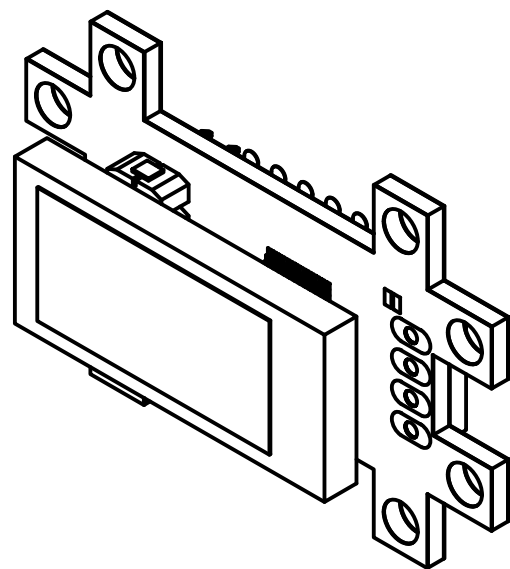


Total depth 17.5mm with connector



Variants - same hardware:

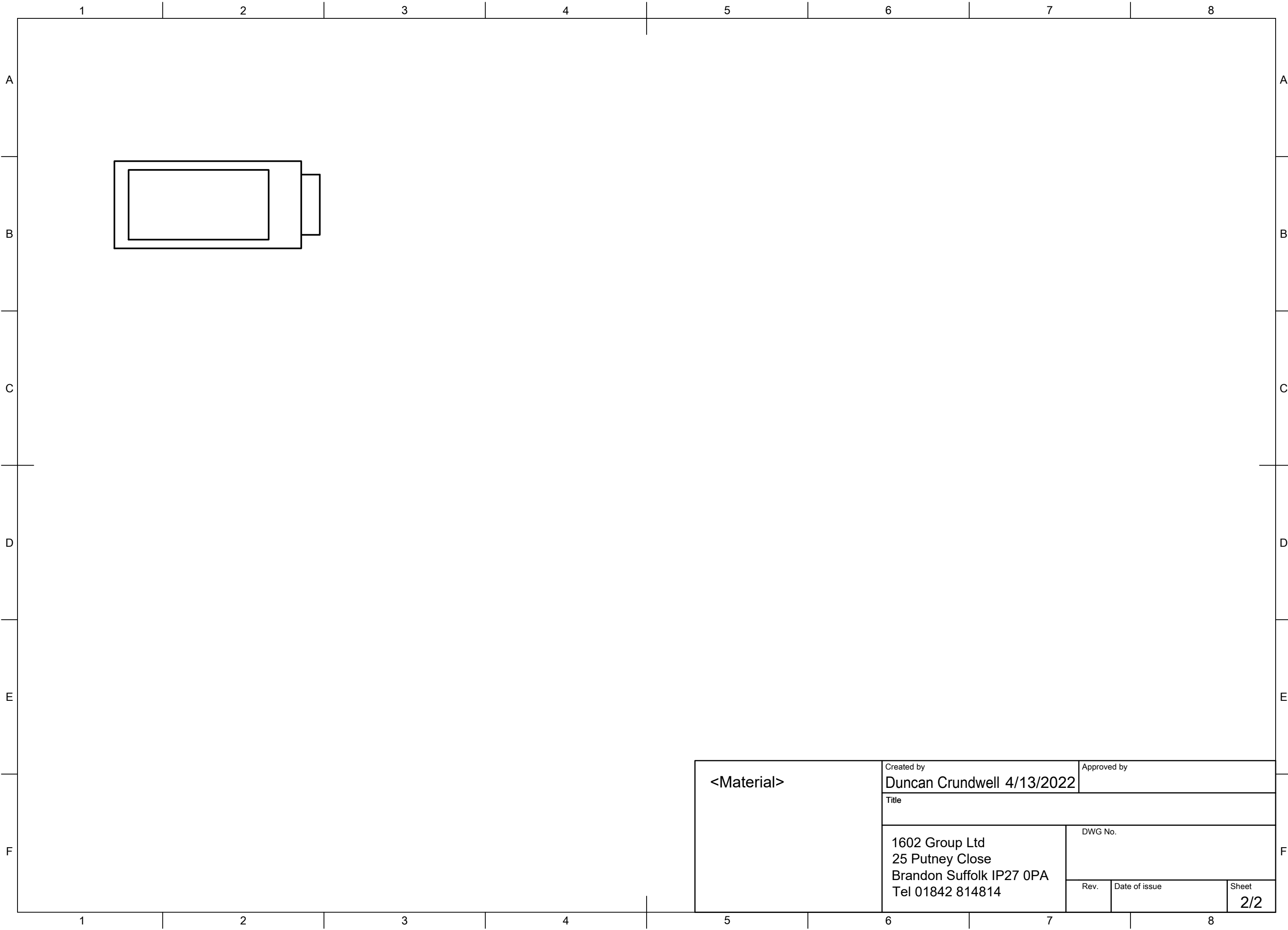
1. 62313820 Single row of digits
2. 62313821 Double row of digits



Notes:

1. Display area is 21.7 x 10.8mm and is not centred
2. Any of the 8 tabs may be removed to fit. They are provided solely for mounting
3. Do not modify the circuit board otherwise, it has hidden tracks that will damage it
4. A 4 pin screw terminal on the rear side is used to connect to a USB cable supplied that may be cut shorter if required
5. Total depth from face of display to back of connector 17.5mm
6. A second display may be added inverted to the left to provide two displays close together
7. Displays may be inverted or colour changed in software
8. Observe Anti-Static procedures when storing and installing
9. Carefully remove protective cover with red tab before installing

Created by Duncan Crundwell 4/13/2022		Approved by	
Title <b>TFT Keyslip Display</b>			
1602 Group Ltd 25 Putney Close Brandon Suffolk IP27 0PA Tel 01842 814814		DWG No. <b>62313820-1</b>	
		Rev. <b>2</b>	Date of issue <b>23 August 2023</b>
		Sheet <b>1</b>	



<b>&lt;Material&gt;</b>	Created by <b>Duncan Crundwell 4/13/2022</b>		Approved by	
	Title			
	1602 Group Ltd 25 Putney Close Brandon Suffolk IP27 0PA Tel 01842 814814		DWG No.	
	Rev.	Date of issue	Sheet <b>2/2</b>	